

Panel Integration Kit, Vertical Configuration Bill of Materials			
Item	Minimum Needed	Included	Description
1	12 ea	13 ea	#4-40x1/2" Hex Standoff
2	12 ea	14 ea	#4-40x1/4" Narrow Fillister Screw
3	10 ea	12 ea	#4-40x3/8" Pan Head Comb. Screw
4	4 ea	4 ea	#4-40x2" Pan Head Comb. Screw
5	4 ea	6 ea	#4 Split Lock Washer
6	6 ea	7 ea	#4-40 Hex Nut
7	1 ea	1 ea	Pushbutton Bracket
8	2 ea	2 ea	DIN Rail Bracket
9	4 ea	5 ea	#6-32 Tapered Head Phillips Machine Screw
10	4 ea	5 ea	#6-32 Serrated Flange Lock Nut
11	1 ea	1 ea	8"x8"x1/8" FRP Panel, Pre-Drilled

All metallic components shall be non-magnetic stainless steel



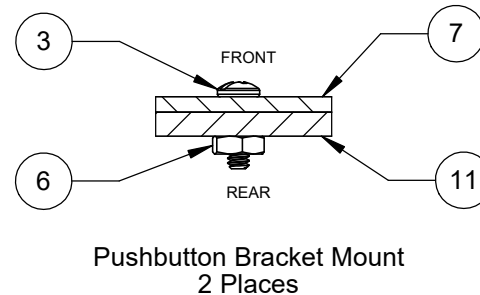
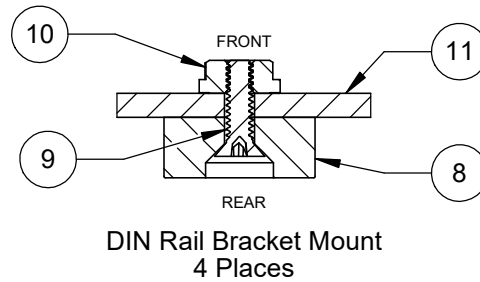
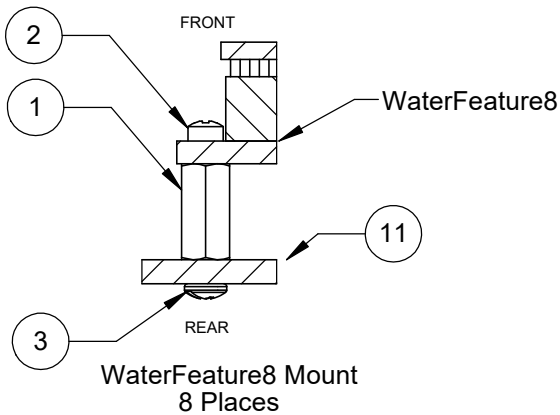
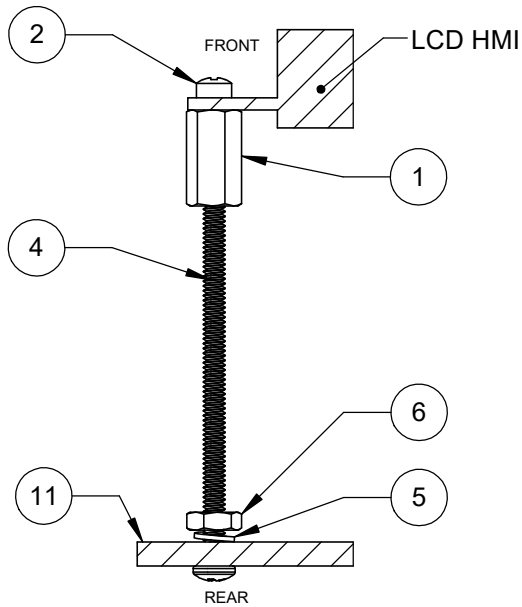
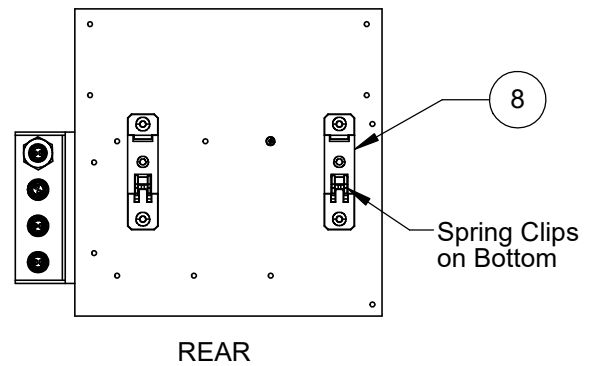
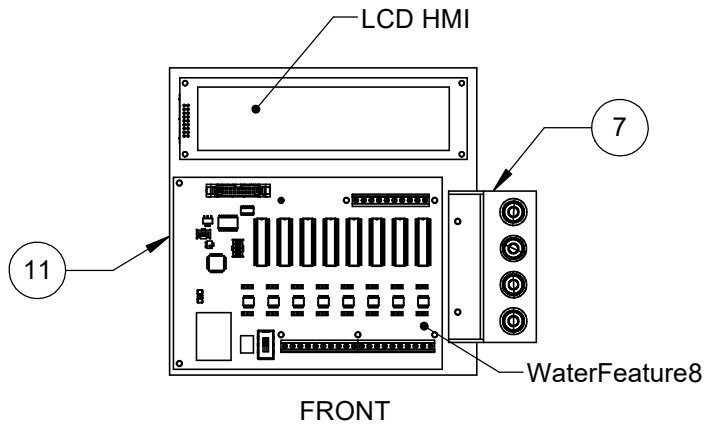
WATERFEATURE8

**PIK Assembly Diagrams
Vertical Configuration**

HORIZ. SCALE N/A	PROJECT NO. N/A
VERT. SCALE N/A	DATE 11/10/2019
DRAWN BY AOB	DESIGNED BY AOB
DRAWING NO. C0.1	SHEET NO. 01 of 01

REV	DATE	INITIAL
A	05/10/20	AOB

Copyright (c) 2019 Integrated Treatment Systems, LLC d/b/a ITS. This drawing is the property of ITS. All layouts and designs are created for use on this specific project. No part of this design or drawing shall be reproduced, distributed, disclosed, or used by any person or organization, in whole or in part, without the express written permission of ITS. Contractor shall verify and be responsible for all dimensions and conditions on site. Contractor shall notify ITS of any variations from the design shown herein.



Panel Integration Kit, Horizontal Configuration Bill of Materials			
Item	Minimum Needed	Included	Description
1	12 ea	13 ea	#4-40x1/2" Hex Standoff
2	12 ea	14 ea	#4-40x1/4" Narrow Fillister Screw
3	10 ea	12 ea	#4-40x3/8" Pan Head Comb. Screw
4	4 ea	4 ea	#4-40x2" Pan Head Comb. Screw
5	4 ea	6 ea	#4 Split Lock Washer
6	6 ea	7 ea	#4-40 Hex Nut
7	1 ea	1 ea	Pushbutton Bracket
8	2 ea	2 ea	DIN Rail Bracket
9	4 ea	5 ea	#6-32 Tapered Head Phillips Machine Screw
10	4 ea	5 ea	#6-32 Serrated Flange Lock Nut
11	1 ea	1 ea	8"x8"x1/8" FRP Panel, Pre-Drilled
All metallic components shall be non-magnetic stainless steel			

ITS Integrated Treatment Systems, LLC
2310 SE Delaware Ave., Ste. G-245
812.648.4800

Copyright (c) 2019 Integrated Treatment Systems, LLC d/b/a ITS. This drawing is the property of ITS. All layouts and designs are created for use on this specific project. No part of this design or drawing shall be reproduced, distributed, disclosed, or used by any person or organization, in whole or in part, without the express written permission of ITS. Contractor shall verify and be responsible for all dimensions and conditions on site. Contractor shall notify ITS of any variations from the design shown herein.

WATERFEATURE8

**PIK Assembly Diagrams
Horizontal Configuration**

HORIZ. SCALE N/A	PROJECT NO. N/A
VERT. SCALE N/A	DATE 11/10/2019
DRAWN BY AOB	DESIGNED BY AOB
DRAWING NO. C0.2	SHEET NO. 01 of 01

REV	DATE	INITIAL
A	05/10/20	AOB